



STALHAM BATHE 40 Height adjustable bariatric shower trolley

A comprehensive, heavy-duty bathing platform

Shower Trolley

STALHAM BATHE 40



Structure

The chassis and sub-frames are made of powder coated stainless steel.

Designed with strong, high-quality materials to ensure suitability for lifting plus-size patients.

Well proven, durable mattress designed to last. Made from a flame retardant PVC material.

Lift system supports weights of up to 450 kg.



Comfort

Padded mattress included for patient comfort, is easily removable for cleaning.

Fasteners/straps are available as accessories, for attachment on mattresses to siderails.

Trolley drains at both ends allowing the user person to be positioned in either direction.

The stretcher can easily be tilted to the Trendelenburg position.

Head rail folds to horizontal position for extra length.

Adjustable height between 53.5–83.5cm



Ease Of Handling

The stretcher has rubber bumper wheels on all four corners to protect walls and doorways.

Large castors (150 mm) for convenient and easy transport of the shower trolley.

180° foldable side rails in stainless steel that lock into position. The flexible side rails can also be pressed together for entering narrow doorways.

Includes a 1m flexible drainage hose

On board, high capacity, rechargeable batteries to be charged via main supply. Magnetic battery charger connection for safety and ease of use.



Controls

The hand held control operates the power tilt in both directions and raises and lowers the trolley.

Convenient single foot control for brakes on all four castors and straight steering.

Specifications

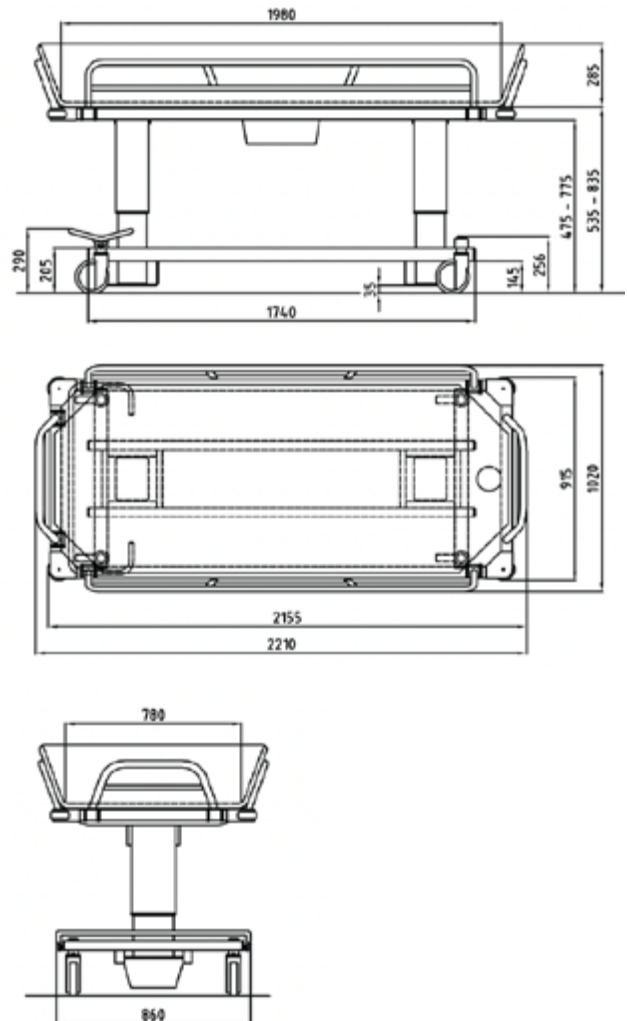
STALHAM BATHE 40

Bariatric Trolley: BATHE 40

Length	221 cm
Width	91.5 cm
Adjustable height	53.5–83.5 cm
Castors	150mm Braked
Working Load Limit	450 kg (1000 lbs)

Electric features:

Charger input	110-240V / 50-60Hz
Battery	Rechargeable 24 V



www.medi-plinth.co.uk

7-11 Holywells Road, Ipswich, Suffolk IP3 0DL – Call: +44 (0) 1473 212010